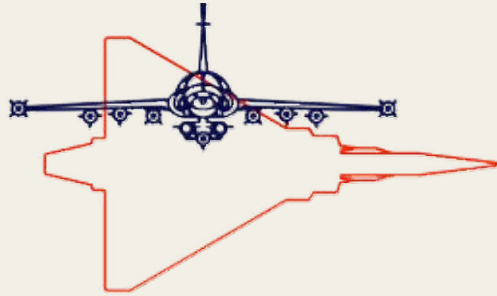


ORDTECH

LADEWARE L1
LASER DESIGNATOR WARNING RECEIVER





ORDTECH

LADEWARE L1 LASER DESIGNATOR WARNING RECEIVER

PURPOSE

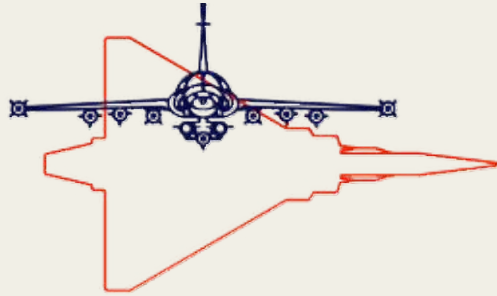
Modern laser air-to-ground / air-to-surface guided munitions, missiles, rockets and other types are lethal against armoured and non-armoured vehicles and other platforms as well as fixed targets such as command centres, communication centres, depots, etc.

Hundreds of high rank officers, military commanders, prominent figures have been eliminated by

swift, devastating, of extremely short duration, undetected attacks.

LADEWARE L1 was developed with to offer a critical **time window** of **10 to 25 sec** (depending on the altitude and range of the attack launch platform, namely drone, helicopter, aircraft, etc)





ORDTECH

LADEWARE L1 LASER DESIGNATOR WARNING RECEIVER

DESCRIPTION 1

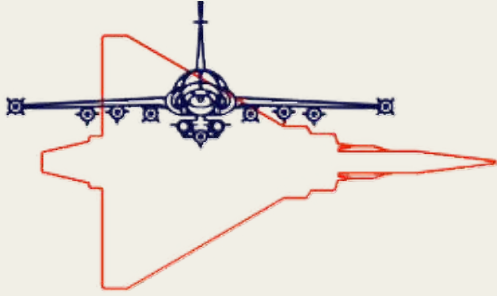
LADEWARE L1 is a Laser Warning Receiver for Laser Target Designators and Range Finders.

A high sensitivity Infrared Pulsed Laser Receiver is combined with a Digital Signal Processing and Display Indicator module allows the user to select various modes of operation and minimizes false alarms based on internal algorithms.

The sensor is sensitive only to narrow Laser Pulsed Sources and does not react on Electric Lamps, Sun or other IR sources.

Digital Processing of sensor output minimizes false alarm rate. Additionally LADEWARE L1 offers High quality Radio Frequency shielding.





ORDTECH

LADEWARE L1 LASER DESIGNATOR WARNING RECEIVER

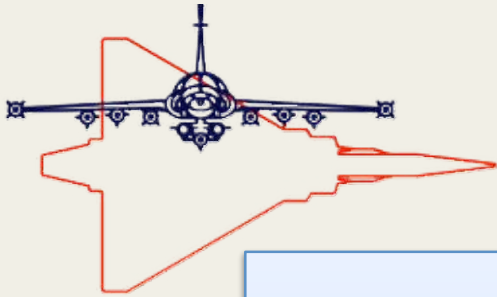
DESCRIPTION 2

Dual Alarm: Audio alarm is always ON (two modes user selectable) and Visual alarm (user can turn off visual alarm if required).

Audio Alarm may be either on Laser Pulse mode were the user can hear directly the real Laser pulse sequence of the designator or continuous.

LADEWARE L1 is able to detect all Infrared Pulsed Lasers for military and civilian use to protect a vehicle or a small infrastructure.

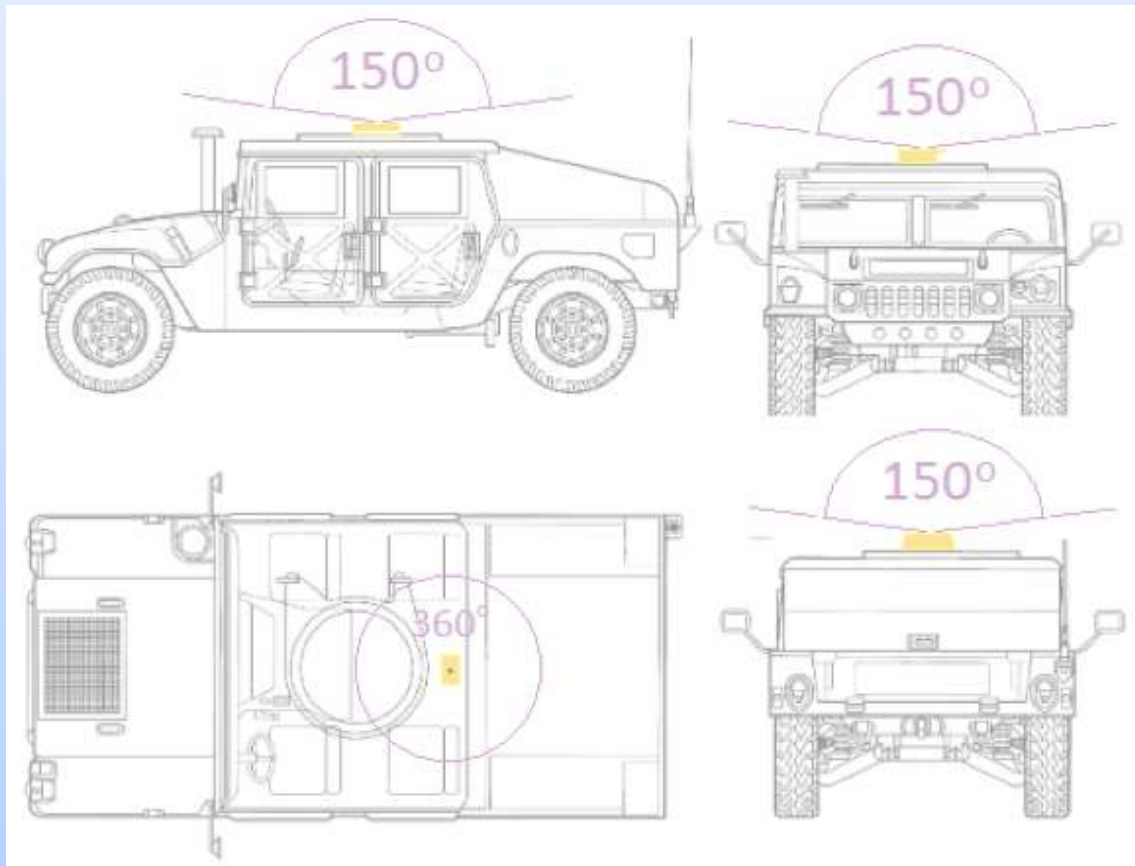




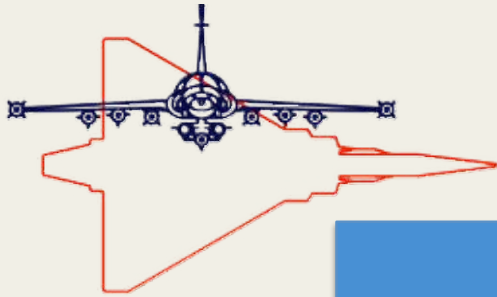
ORDTECH

LADEWARE L1

LASER DESIGNATOR WARNING RECEIVER



SCHEMATIC DIAGRAMME OF VEHICLE INSTALLATION



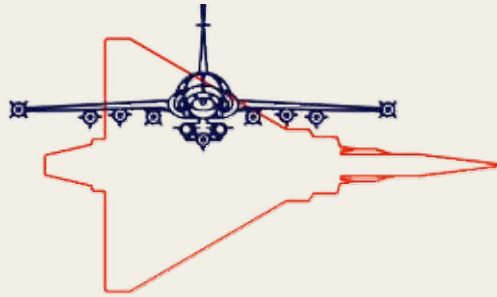
ORDTECH

LADEWARE L1

LASER DESIGNATOR WARNING RECEIVER

SPECIFICATIONS

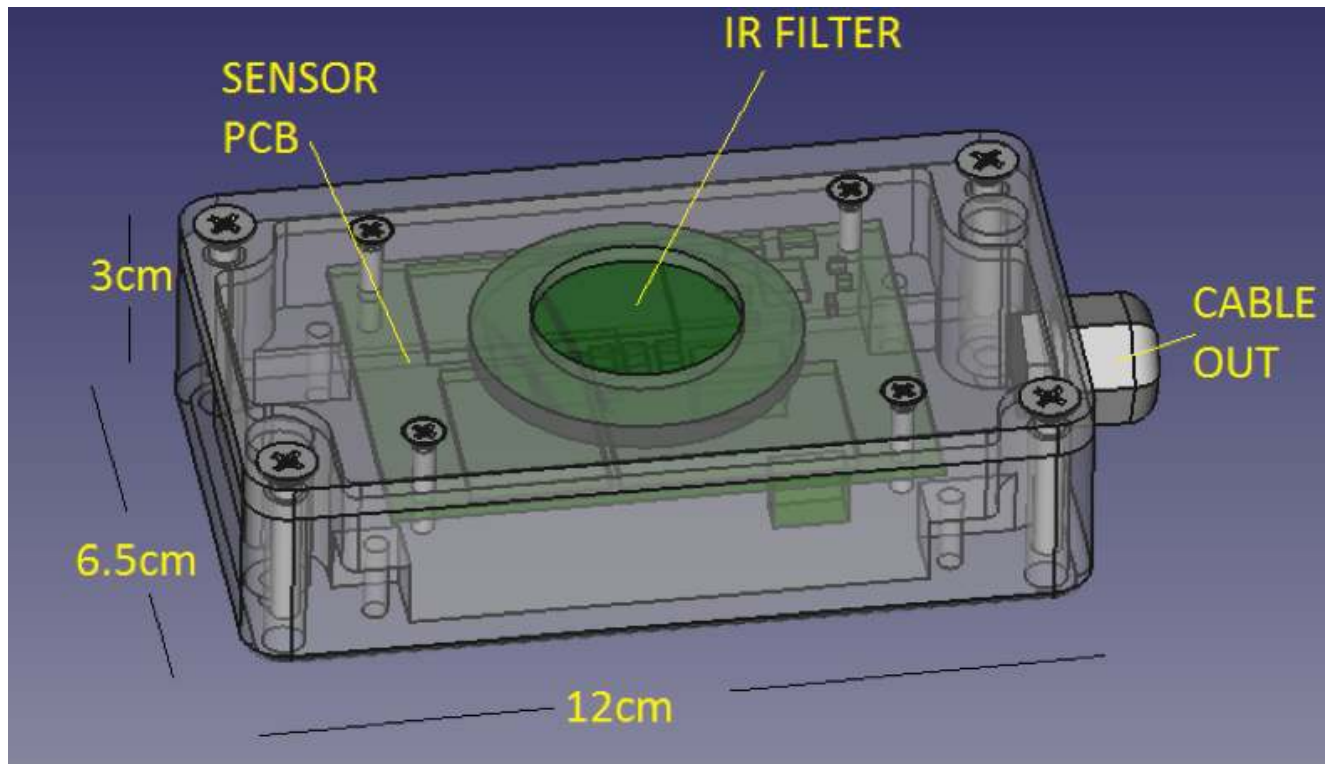
Spectral Range	750 - 1600 nm
Sensitivity	< 10W / m ²
Pulse width	15 ns – 0.5us
Field of View	>150°
Azimuth	360°
Elevation	+15° to +90°
Mass	<2.4 Kg
Operating Range	-20°C to +65°C
Audio Warning	User selectable Modes: Continuous Siren or per Laser Pulse.
Visual Warning	4 Lights on Indicator.
Power Requirements	12 VDC 0.3A max
False Alarm Filter	Digital false alarm filter user selectable.
Self-Test	Built-in capability.



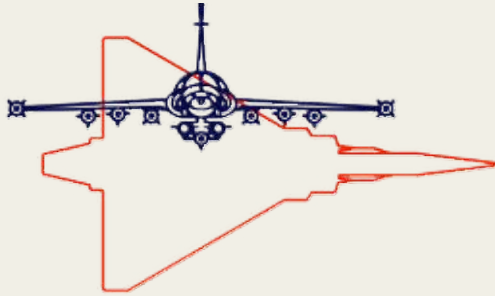
ORDTECH

LADEWARE L1

LASER DESIGNATOR WARNING RECEIVER



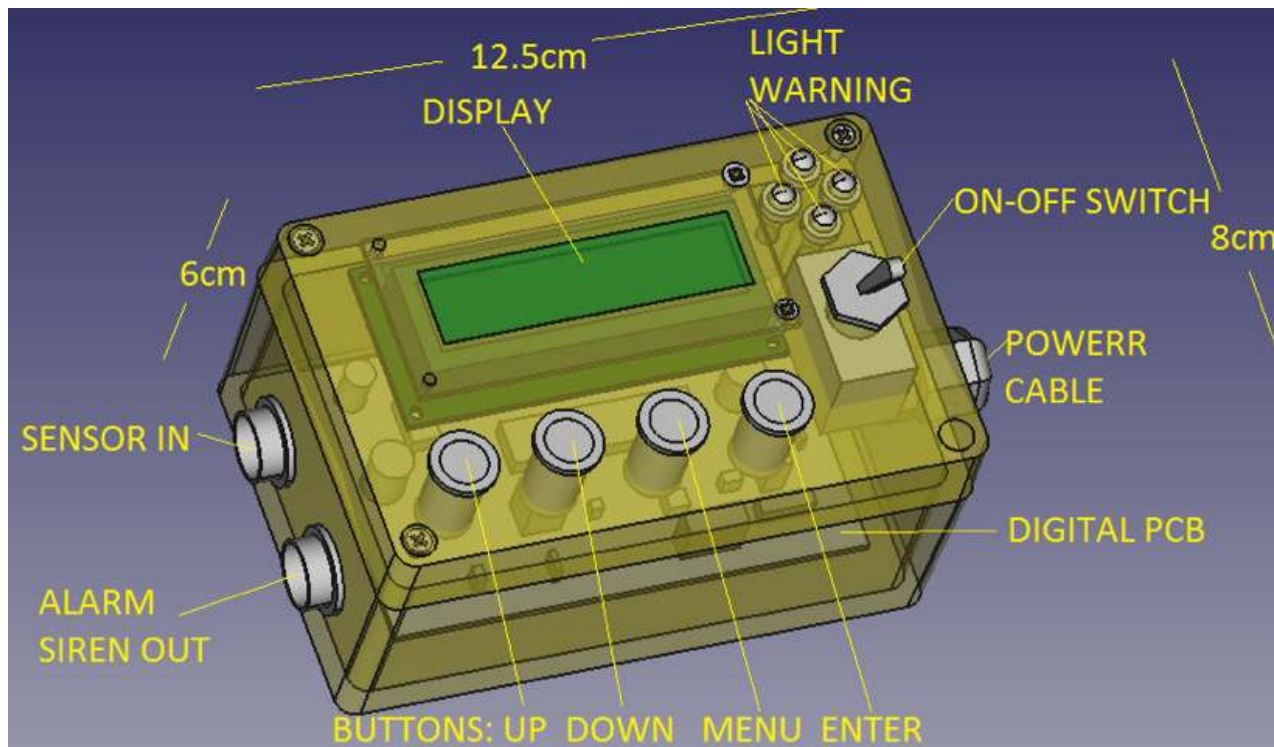
SENSOR DIMENSIONS & SCHEMATIC



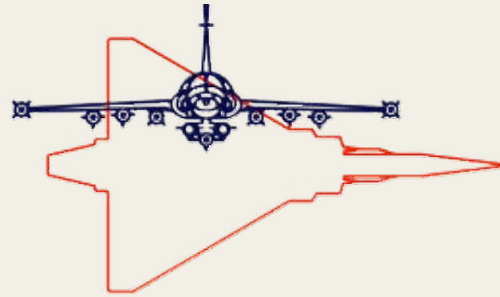
ORDTECH

LADEWARE L1

LASER DESIGNATOR WARNING RECEIVER



CONTROL BOX DIMENSIONS & SCHEMATIC



ORDTECH

ORDNANCE TECHNOLOGY AIR WEAPONS SPECIALIST

MK80 ORDNANCE

CBU GBU LGB BDU SERIES

FUZING SYSTEMS

ROCKETS & LAUNCHERS 2.75 INCH

ROCKETS & LAUNCHERS 68 MM

DISPENSERS SUU-SERIES

CANNON PODS & GUN PODS

GUNSHIP MODIFICATIONS

COUNTERMEASURES

GUIDANCE & NAVIGATION

